



Crane Logistic & Transport Expert

Crane Logistic & Transport Expert



Jib Crane

Specification

YUANTAI CRANE

Everything is for Customer-Yuantai Crane

Henan Yuantai Crane Machinery Import&Export Co.,Ltd.

Address:Henghua Business Building 712,Garden Road,Zhengzhou,Henan,China

Tel: 86-371-65760776 Fax: 86-371-65760775

Web: www.ytcrane.com

Email: yt@ytcrane.com

Henan Yuantai Crane Machinery Import&Export Co.,Ltd.

Part 1: Product Overview

1 Main Classification

- 1.1 BZ Type Pillar Jib Crane, Lifting capacity: 0.5t-5t, lifting height: 1m-10m, Working class: light (A3)
- 1.2 BX Type Mural Jib Crane, lifting capacity 0.25t-1t, lifting height 1m-10m, Working class A3
- 1.3 BB Type Wall-travelling Jib Crane, lifting capacity 0.5t-16t, lifting height 6m-30m, Working class A3



2 Application

- 2.1 Widely used in workshop, storage, yard and some other fixed place
- 2.2 Especially used for lifting in short-distance or serried place
- 2.3 Forbidden to use it in inflammable, explosive corrosive condition

3 Main Features

- 3.1 The jib crane is developed in recent years, can be used freely in three dimensional space
- 3.2 Special structure, safe & reliable, high efficiency, energy and time saving
- 3.3 light body weight, moving flexible, large operating space
- 3.4 Cover an small area, easy operation and maintenance, economic durable, rotary flexible

4 Application Scope and Condition

Ambient temperature: -25°C~+40°C, humidity≤85%, elevation below 1000m, Power is 3-PH, 380V, 50HZ(also can accord to client's requirement)

5 Standards

1. GB3811-2008 "Crane Design Standards"
2. GB6067-85 "Crane Machinery Safety Procedures"
3. GB5950-86 "Crane Test Specification and Procedures"
4. JB8906-1999 "Jib Crane"

Part 1: Product Overview

6 Loaded Test

Unloaded Test

When unloaded, operate the lifting, rotating, travelling, moving, test their limiter device. Each test should operate three rounds.

- 1) Operating Standard: each mechanism is stable, no crawl, shake, clash, overheat, abnormal noise. No oil-leak on the moving parts.
- 2) The controlling system is reliable and accurate.
- 3) All the limiters on lifting, travelling and moving are reliable and accurate.
- 4) Rotating, lifting height, working radius are all in allowed scope.

Rated Loaded Test

According to rated loaded capacity demanding, start the operations of lifting, rotating, moving, travelling. At same time test the trip limiter. This step should repeat three rounds. And test if it comply the requirements of following:

- 1) The deflection corresponds to national rule.
- 2) All the speeds of lifting, rotating and travelling must be in allowed range.
- 3) lowest dropping speed must be in allowed range(not include the variable speed)
- 4) Noise must be in allowed scope.
- 5) No-defection for main components.

Fixed loaded Test

Make the lifting weight is 1.25 times of rated capacity, comply to GB/T5905 standard to test:

- 1) the load-carrying parts without eternal shape distortion and damage.
- 2) No crack welding line
- 3) Joint without shake
- 4) The main parts without damage

Moving loading Test

When 1.1 times of rated lifting capacity, according to GB/T5905 standards test:

- 1) Operating Standard: each mechanism is stable, no crawl, shake, clash, overheat, abnormal noise. No oil-leak on the moving parts.
- 2) The controlling system is reliable and accurate.
- 3) Reliable braking
- 4) Various spare parts and institutions without shake, damage and abnormal sound

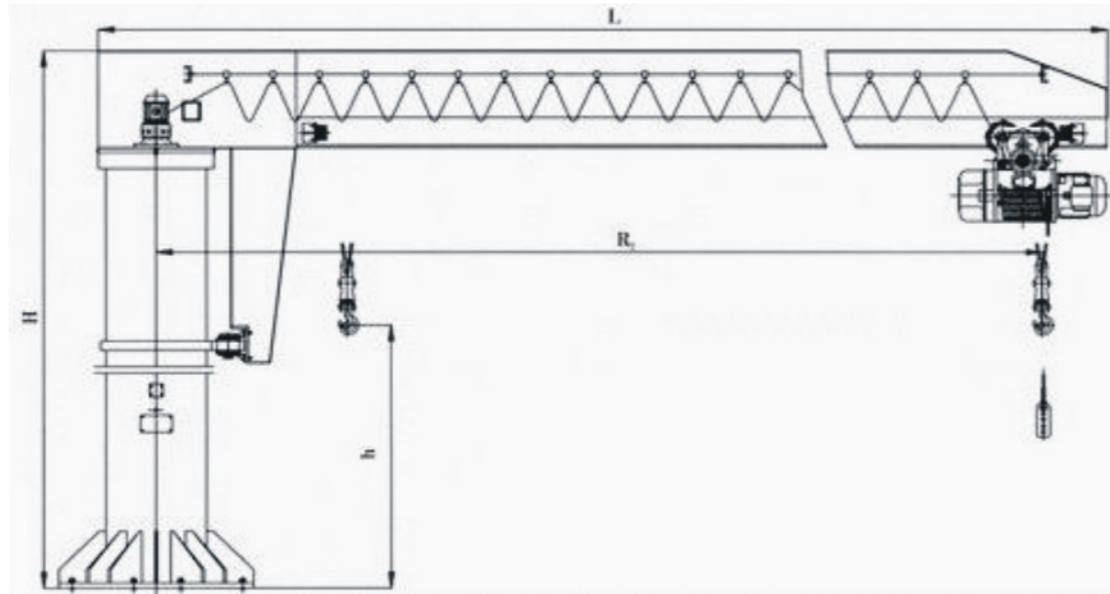
Part 2: Pillar Jib Crane

Overview

- 1.1 The pillar jib crane is an energy saving and efficient lifting equipment.
- 1.2 Widely used in workshop, storage, mining and port
- 1.3 Consisted with up-pillar, down-pillar, main beam, bar, electric hoist, rotating mechanism and electric system.



Structure Sketch



Parameter

BZ Type Pillar Jib Crane		0.5t		
Lifting height(h)	m	5	5.5	6
Rotating radius R2	m	4	4.5	5
Lifting speed	m/min	8		
Rotating speed	r/min	0.7		
Travelling speed	m/min	20		
Rotating angle	°C	180°,270°, 360°,at will		
Max.height H	m	5.93	6.43	6.93
Max.length L	m	4.59	5.09	5.59
Body weight	kg	1733	1933	2028

Part 2: Pillar Jib Crane

BZ Type Pillar Jib Crane		1t		
Lifting height(h)	m	5	5.5	6
Rotating radius R2	m	4	4.5	5
Lifting speed	m/min	8		
Rotating speed	r/min	0.7		
Travelling speed	m/min	20		
Rotating angle	°C	180°,270°, 360°, at will		
Max.height H	m	5.987	6.487	6.987
Max.length L	m	4.61	5.11	5.61
Body weight	kg	1860	1960	2229
BZ Type Pillar Jib Crane		2t		
Lifting height(h)	m	4	4.5	5
Rotating radius R2	m	4	4.5	5
Lifting speed	m/min	8		
Rotating speed	r/min	0.7		
Travelling speed	m/min	20		
Rotating angle	°C	180°,270°, 360°, at will		
Max.height H	m	5.28	6.78	6.28
Max.length L	m	4.626	5.126	5.626
Body weight	kg	2478	2613	2748
BZ Type Pillar Jib Crane		3t		
Lifting height(h)	m	4.5	5	
Rotating radius R2	m	5	5.5	
Lifting speed	m/min	8		
Rotating speed	r/min	0.5~1		
Travelling speed	m/min	20		
Rotating angle	°C	180°,270°, 360°, at will		
Max.height H	m	6.254	6.754	
Max.length L	m	6.32	6.82	
Body weight	kg	3577	3742	
BZ Type Pillar Jib Crane		5t		
Lifting height(h)	m	4.5	5	
Rotating radius R2	m	5	5.5	
Lifting speed	m/min	8		
Rotating speed	r/min	0.5~1		
Travelling speed	m/min	20		
Rotating angle	°C	180°,270°, 360°, at will		
Max.height H	m	6.522	7.022	
Max.length L	m	5.94	6.44	
Body weight	kg	4224	4430	

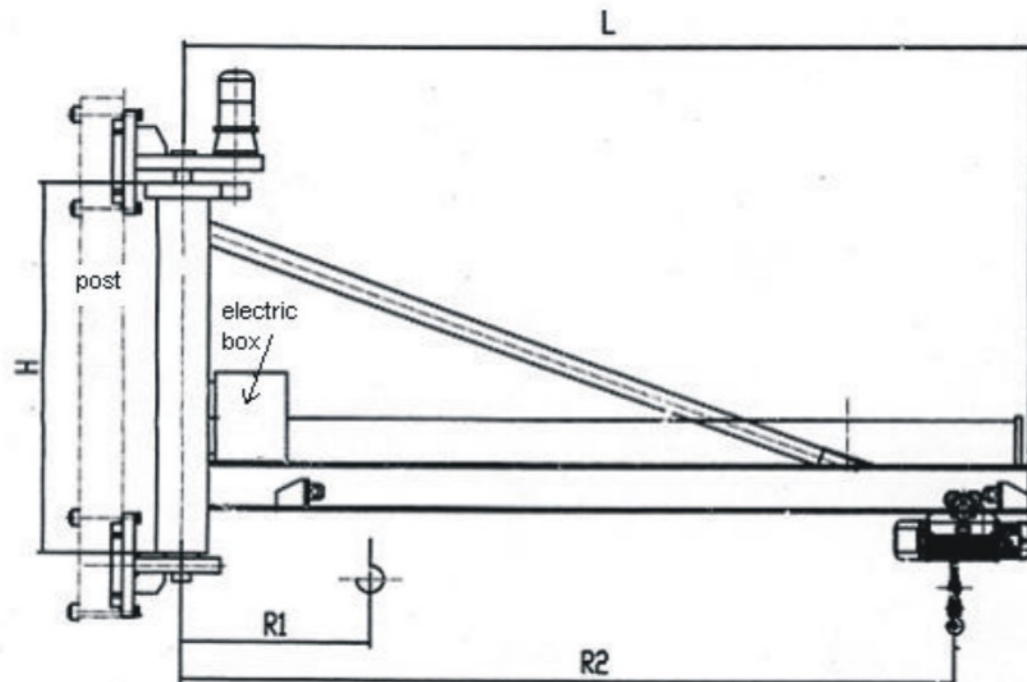
Part 3: Mural Jib Crane

Overview

- 1.1 It is also called wall type jib crane or Mural Jib crane.
- 1.2 Support, jib device and lifting device.
- 1.3 The lifting device include electric hoist and chain block
- 1.4 The jib is fixed on wall or concrete pillar, rotating can be planned by client's requirement.
- 1.5 The rotating device is operated by hand or electric.



Structure Sketch



Part 3: Mural Jib Crane

Parameter

BX Type Mural Jib CRane		0.25t		
Lifting height(h)	m	5	5.5	6
Rotating radius R	m	4	4.5	5
Lifting speed	m/min	8		
Travelling speed	m/min	20		
Rotating angle	°	180°,270°, 360°, at will		
Pillar Centre Height(H)	m	1.2		
Max. Length(L)	m	4.326	4.826	5.326
Body weight	kg	343	362	378
BX Type Mural Jib CRane		0.5t		
Lifting height(h)	m	5	5.5	6
Rotating radius R	m	4	4.5	5
Lifting speed	m/min	8		
Travelling speed	m/min	20		
Rotating angle	°	180°,270°, 360°, at will		
Pillar Centre Height(H)	m	1.6		
Max. Length(L)	m	4.43	4.93	5.43
Body weight	kg	389	405	420
BX Type Mural Jib CRane		1t		
Lifting height(h)	m	5	5.5	6
Rotating radius R	m	4	4.5	5
Lifting speed	m/min	8		
Travelling speed	m/min	20		
Rotating angle	°	180°,270°, 360°, at will		
Pillar Centre Height(H)	m	2.56		
Max. Length(L)	m	4.525	5.025	5.525
Body weight	kg	768	782	810

Part 4: Wall-travelling Jib Crane

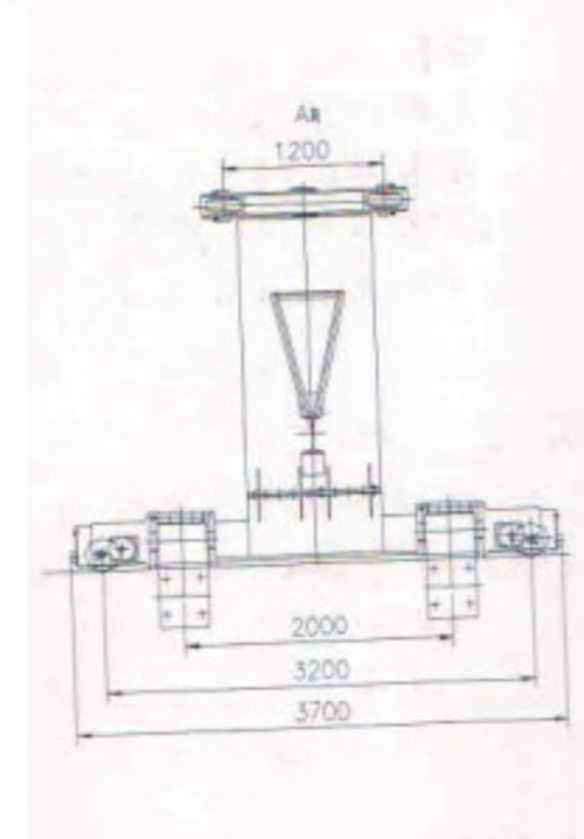
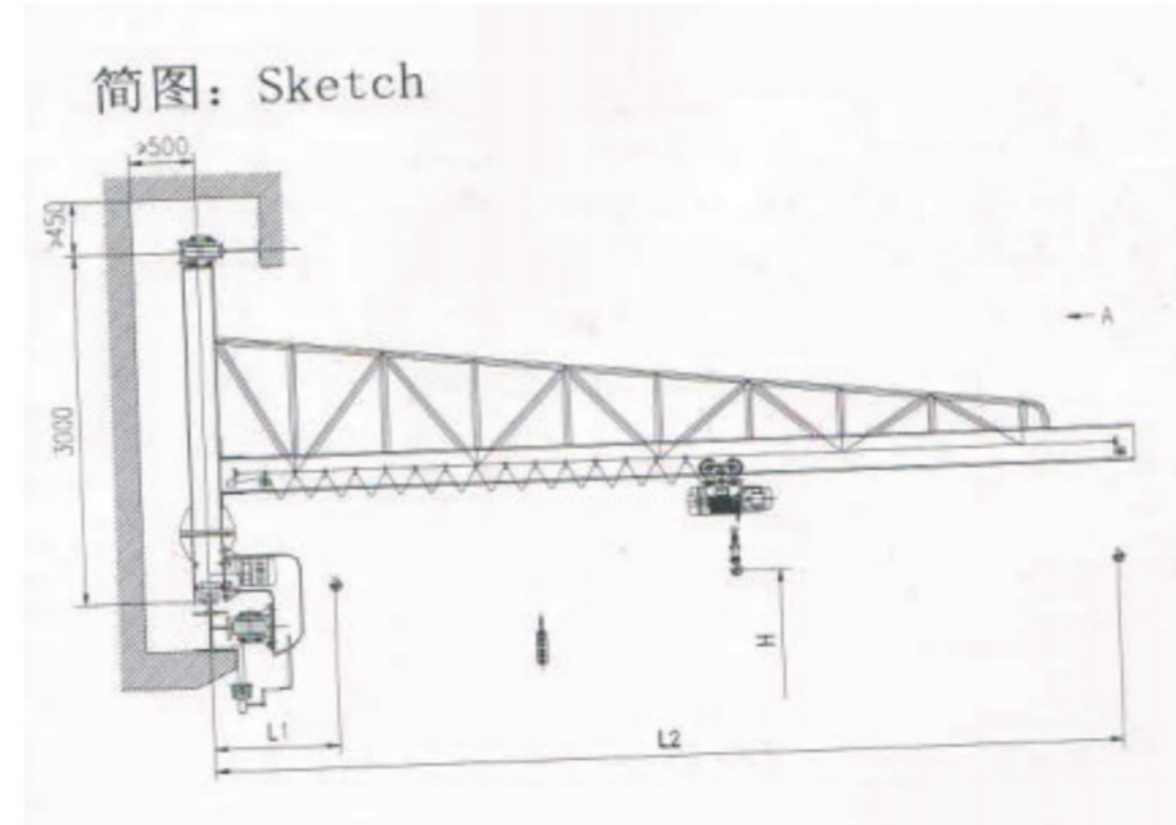
Overview

- 1.1 A new type material lifting device, designed based on mural jib crane.
- 1.2 Its rail is installed on concrete post in workshop, it can move on longitudinal direction, at the same time, the electric hoist can achieve the horizontal direction off the jib and the vertical lifting direction.
- 1.3 This crane greatly expand and make full use of the work space, which is more convenient to use.
- 1.4 Used in workshop or storage, where is wide and high. If it is near to wall, it is applied to work in high frequency.
- 1.5 The crane is usually used matching with bridge crane on ceiling. It is placed near to wall working in a cuboid space, mainly lift light objects.



Part 4: Wall-travelling Jib Crane

Structure Sketch



Part 4: Wall-travelling Jib Crane

Diagram

BB Wall-travelling Jib Crane		0.5t
Lifting height(h)	m	6,9,12,18,24,30
Longest arm L2	m	5~12.5 (0.5 increasing)
Shortest arm L1	m	1.0
Lifting speed(slow)	m/min	8(0.8)
Trolley travelling speed	m/min	20,30
Crane travelling speed	m/min	8~40
BB Wall-travelling Jib Crane		1t
Lifting height(h)	m	6,9,12,18,24,30
Longest arm L2	m	5~12.5 (0.5 increasing)
Shortest arm L1	m	1.0
Lifting speed(slow)	m/min	8(0.8)
Trolley travelling speed	m/min	20,30
Crane travelling speed	m/min	8~40
BB Wall-travelling Jib Crane		2t
Lifting height(h)	m	6,9,12,18,24,30
Longest arm L2	m	5~10 (0.5 increasing)
Shortest arm L1	m	1.2
Lifting speed(slow)	m/min	8(0.8)
Trolley travelling speed	m/min	20,30
Crane travelling speed	m/min	8~40
BB Wall-travelling Jib Crane		3t
Lifting height(h)	m	6,9,12,18,24,30
Longest arm L2	m	5~10 (0.5 increasing)
Shortest arm L1	m	1.2
Lifting speed(slow)	m/min	8(0.8)
Trolley travelling speed	m/min	20,30
Crane travelling speed	m/min	8~40

YUANTAI CRANE

Everything is for Customer - Yuantai Crane



Network spread all over the world Service nearly around

Henan Yuantai Crane Machinery Import&Export Co.,Ltd.

Address: Henghua Business Building 712, Garden Road, Zhengzhou, Henan, China

Tel: 86-371-65760776

Fax: 86-371-65760775

Web: www.ytcrane.com

Email: yt@ytcrane.com

